

VORTEX

PRODUCT INFO



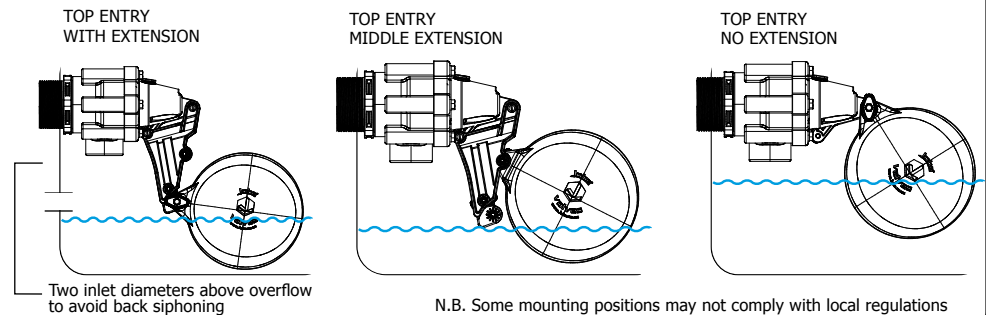
Description

Vortex float valves are float operated valves for use in automatic filling of water tanks, troughs, cisterns etc. The valve is configured for **above water mounting**. The float operates a small pilot valve which in turn operates the main diaphragm valve. Vortex float valves are a good choice where **maximum flow**, compact, robust, non corrosive construction and variable float levels are required.

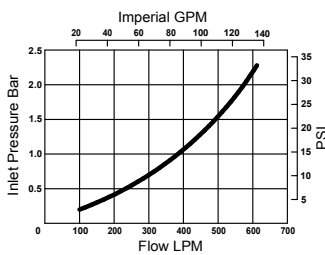
Applications

- Maintaining Water Levels in:
- Water Storage Tanks
 - Water Cooling Towers
 - Air Conditioning Systems
 - High Pressure Cleaning Systems
 - Animal Drinking Troughs
 - Irrigation Applications

Mounting Positions



Flow Graph (All Sizes)



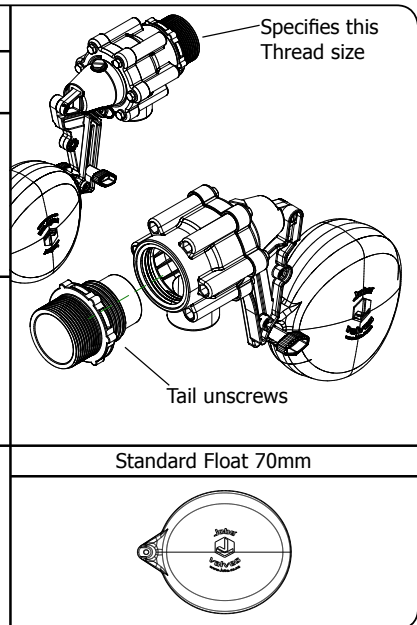
Features

- High flow
- Compact robust construction
- Mounts horizontally or vertically
- Made from corrosion resistant materials
- Valve unscrews from tail for easy Valve seal access
- Shuts down slowly to minimise water hammer
- 20 - 60mm (¾" - 2 ½") water level differential (increases as water inlet pressure increases)
- Pressure rating 0.3 - 7 Bar (5 - 100 PSI)
- Float position easily adjustable with no tools
- Valve has switch to lock it in off position
- Has port to connect Frostpro anti freeze device

Options

Inlet Size

BSP	1 ¼"	1 ½"	2"
	32mm	40mm	50mm
NPT	1 ¼"	1 ½"	2"



Floats: 70mm wide floats supplied standard.

Note: Not Suitable for underwater mounting. Refer to VXVB for Vortex underwater mounting.

VORTEX FLOAT VALVE SPECIFICATION

PRODUCT	CODE	INLET SIZE	CODE
Vortex Float Valve	VXV	1 ¼" bsp	32
		1 ½" bsp	40
		2" bsp	50
		1 ¼" NPT	114
		1 ½" NPT	112
		2" NPT	2

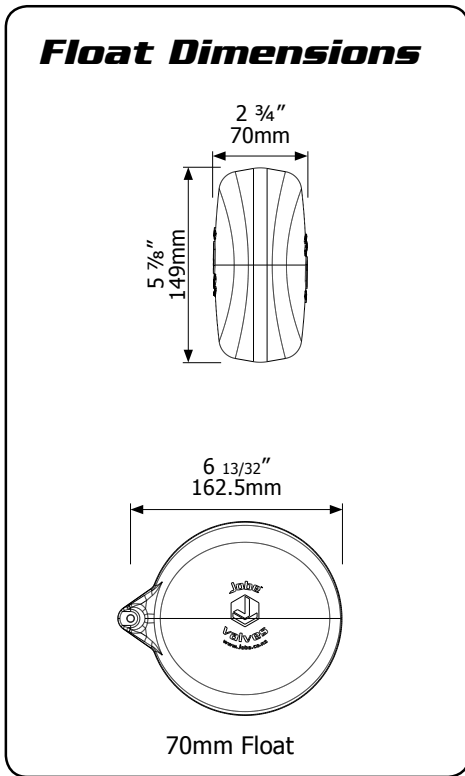
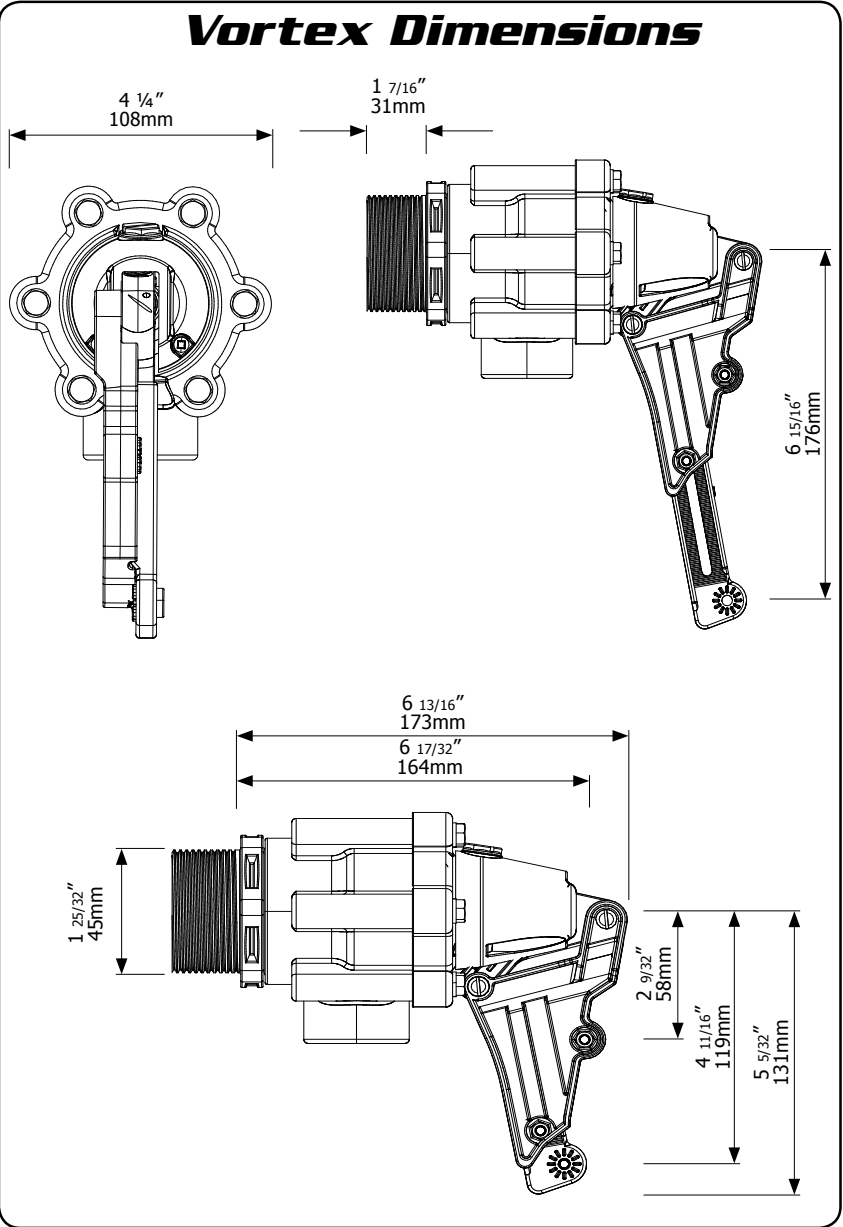
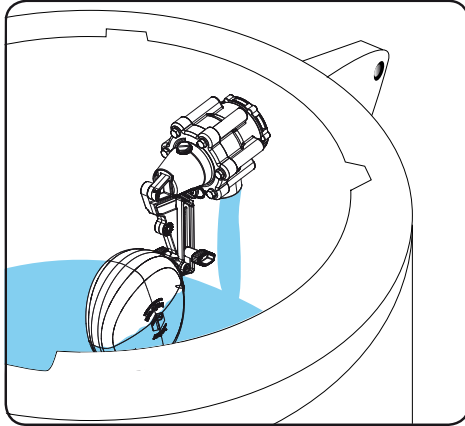
eg A Vortex Float Valve with 2" BSP thread has following spec numbers VXV50

Note: Product may differ slightly from these specs due to ongoing product development.

600 L / MIN

VORTEX

DIMENSIONS & MATERIALS



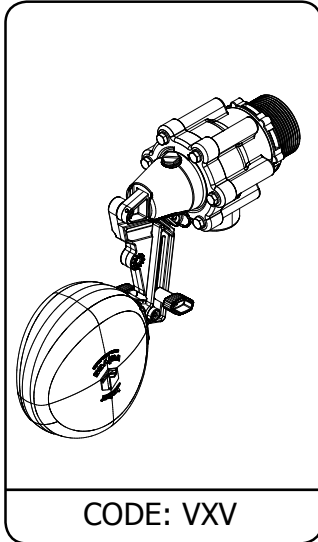
600 L / MIN

Part	Material	Part	Material
Valve Body	GF Nylon	Filter	PP/Nylon
White Internal Parts	Acetal	Springs, Bolts, Nuts, Pins, Screws	304 Stainless Steel
Arm Assembly	ABS	O'Rings	Nitrile
Diaphragm	EPDM	Float	HDPE
Seal	Urethane		

Maximum Operating Temperature **60°C, 140°F**

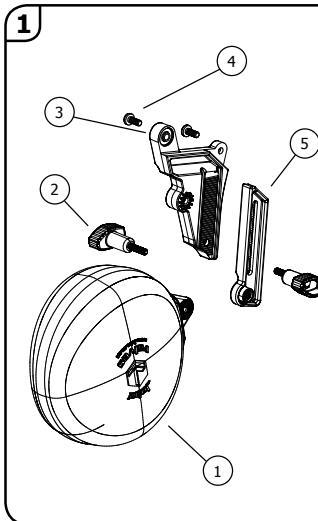
VORTEX

PARTS IDENTIFICATION SHEET

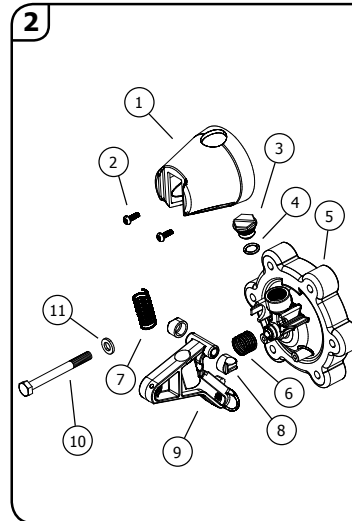


CODE: VXV

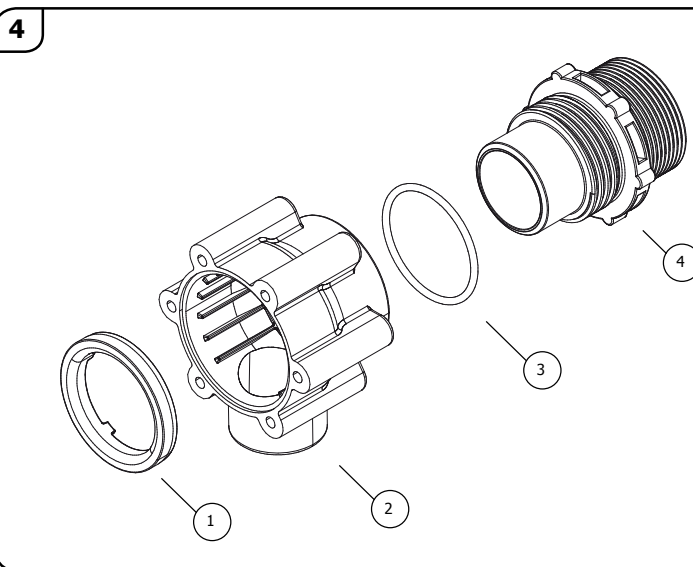
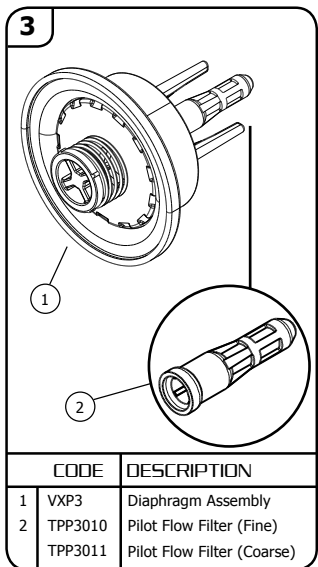
CODE	DESCRIPTION
1	VXP1 Float Assembly
2	VXP2 Cap & Actuator Assembly
3	VXP3 Diaphragm Assembly
4	Base Assembly



CODE	DESCRIPTION
1	VXP1010 70mm Float
2	VXP1020 Wing Bolt
3	VXP1030 Extension Arm
4	VXP1040 Bolt M5 x 12 Pan Slot
5	VXP1050 Extension Slide



CODE	DESCRIPTION
1	VXP2010 Actuator Cap
2	VXP2020 6g x 10 S/S Screw
3	VXP2030 Frost Pro Plug
4	VXP2040 Frost Pro O'ring
5	VXP2050 Valve Cap Assembly
6	VXP2060 Damping Spring
7	VXP2070 Actuator Spring
8	VXP2080 Bearings (set of two)
9	VXP2090 Actuator Arm
10	VXP2100 Bolt M6 x 65
11	VXP2110 Washer M6 x 12.5



CODE	DESCRIPTION
1	VXP4010 Vortex Retainer
2	VXP4020 Vortex Base
3	VXP4030 Vortex O'ring
4	VXP4040 Vortex Tail 32mm
	VXP4045 Vortex Tail 40mm
	VXP4050 Vortex Tail 50mm
	VXP4055 Vortex Tail 1 1/4" npt
	VXP4060 Vortex Tail 1 1/2" npt
	VXP4065 Vortex Tail 2" npt

CODE	DESCRIPTION
1	VXP3 Diaphragm Assembly
2	TPP3010 Pilot Flow Filter (Fine)
	TPP3011 Pilot Flow Filter (Coarse)

600 L / MIN