

VORTEX DIFFERENTIAL

PRODUCT INFO



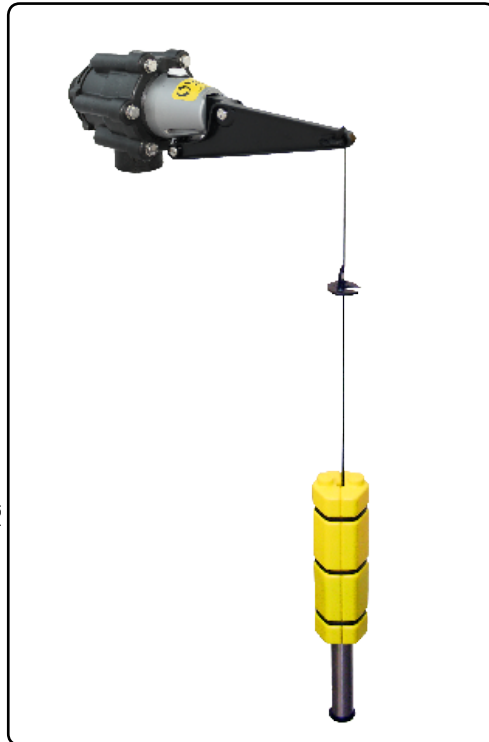
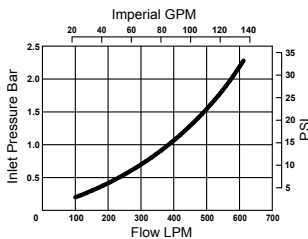
Description

Vortex Differential valves are ideal for use in water tanks which are filled by a pressure system controlled water pump. The valve gives a level difference which is adjustable from 50mm to 2.5m to minimise starting and stopping of the pumping system.

Applications

- Maintaining Water Levels in:
- Water Storage Tanks
 - Water Cisterns
 - Irrigation Applications

Flow Graph (All Sizes)



Principle of Operation

- The valve should be mounted at the top of the tank using a threaded tank inlet fitting.
- As the tank empties the weighted float travels down the cord until it hits the bottom stop. The valve then opens immediately to give a full flow.
- The valve now runs constantly and the weighted float rises until it hits the upper float stop. This lifts the arm and the valve shuts down.
- Observe the pressure that your pump runs at while the tank is filling. Set the pressure switch to turn the pump off at least one bar above the running pressure.

Pressure Range

1 Bar – 10 Bar
(15psi-150 psi)

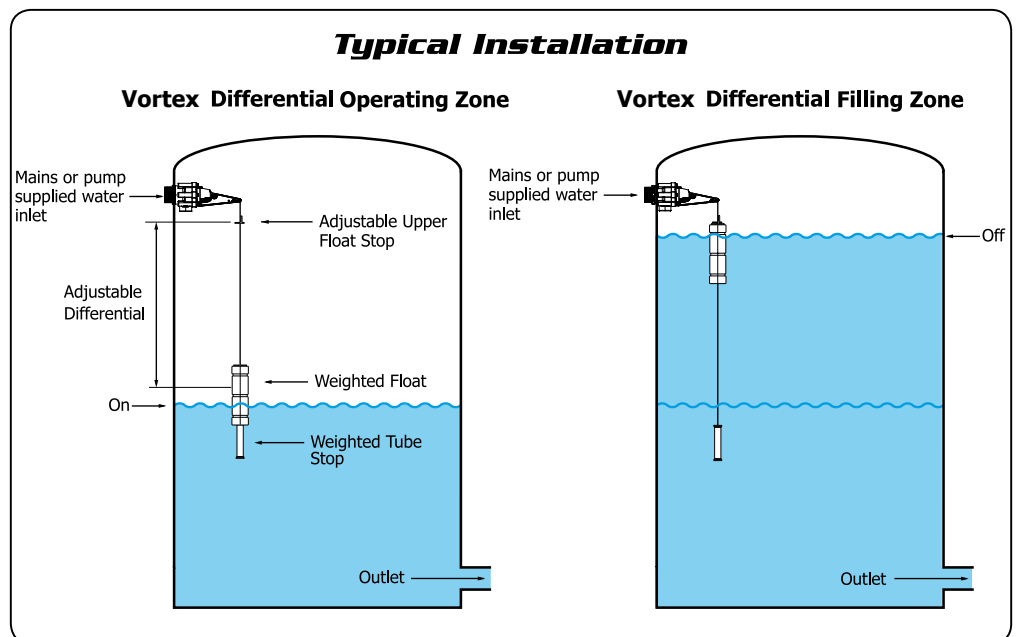
Features

- High flow
- Easily adjustable water level differentials between on and off (50mm - 2.5 m differentials obtainable).
- Reduces pump operation to a minimum.
- Valve unscrews from tail for easy Valve Access.
- Ideal for all makes and models of tanks.

Available Inlet Sizes

VXVD32	32mm (1 ¼")
VXVD40	40mm (1 ½")
VXVD50	50mm (2")
VXVD114	1 ¼" NPT
VXVD112	1 ½" NPT
VXVD2	2" NPT

Typical Installation



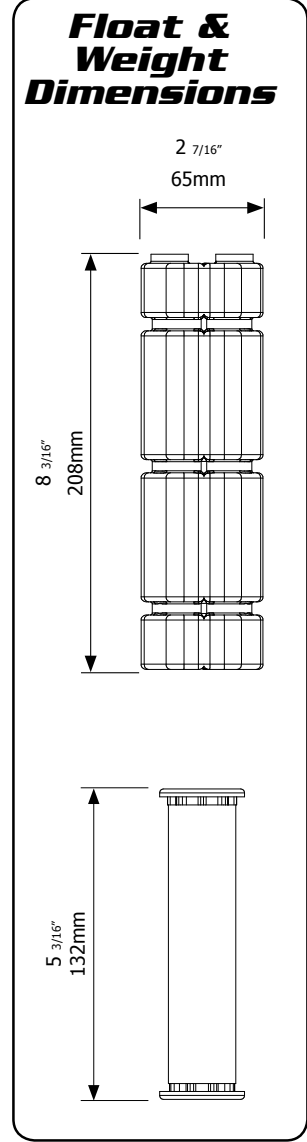
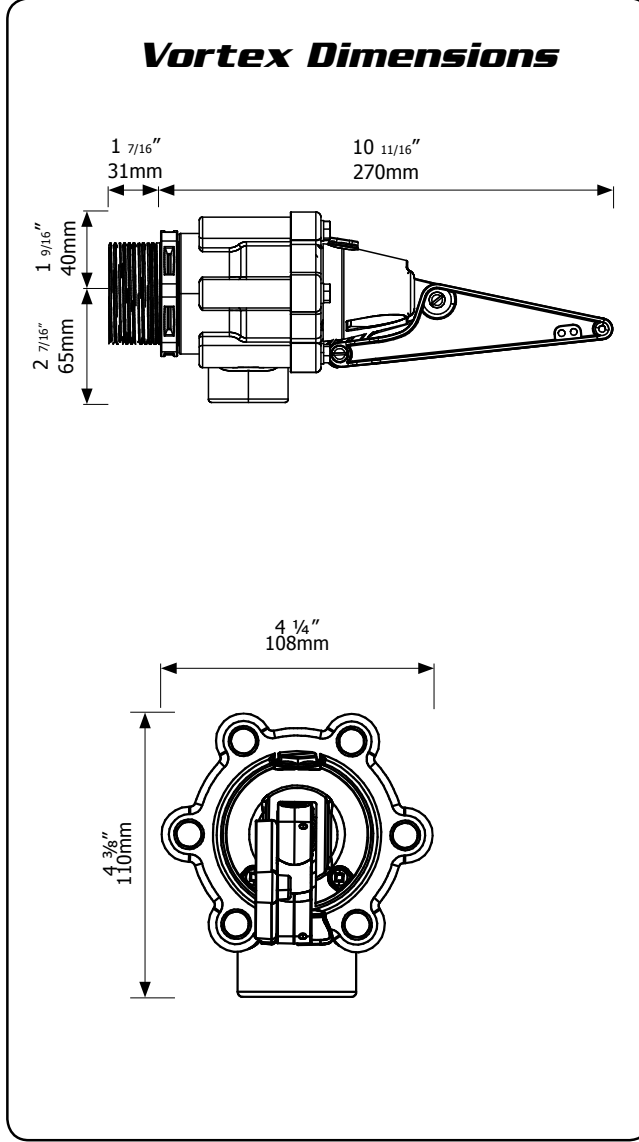
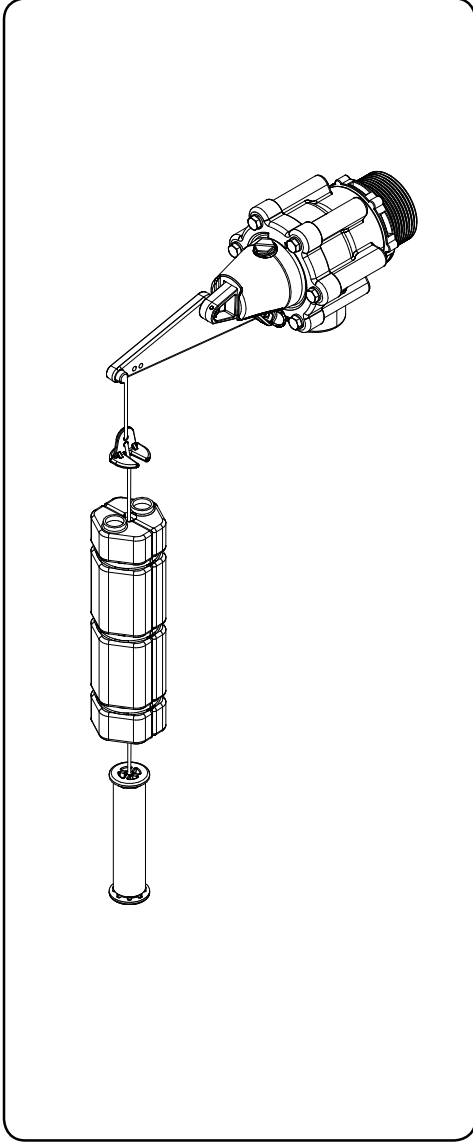
600 L / MIN

VORTEX DIFFERENTIAL

DIMENSIONS & MATERIALS



600 L / MIN

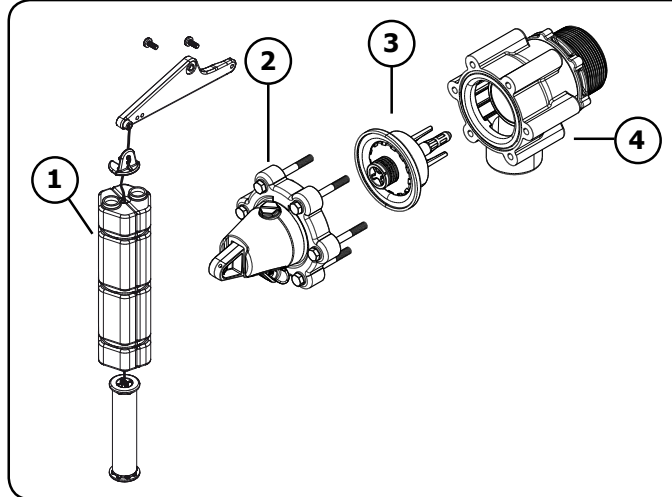
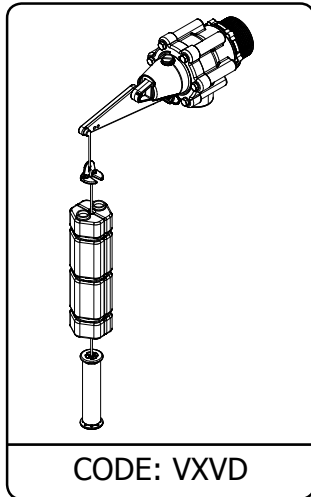


Part	Material	Part	Material
Valve Body	GF Nylon	Seal	Urethane
White Internal Parts	Acetal	Springs, Bolts, Nuts, Pin, Screws	304 Stainless Steel
Filter	PP/Nylon	O'Rings	Nitrile
Arm Assembly	ABS	Float	HDPE
Diaphragm	EPDM		

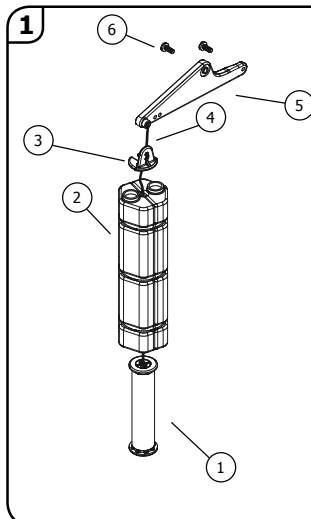
Maximum Operating Temperature **60°C, 140°F**

VORTEX DIFFERENTIAL

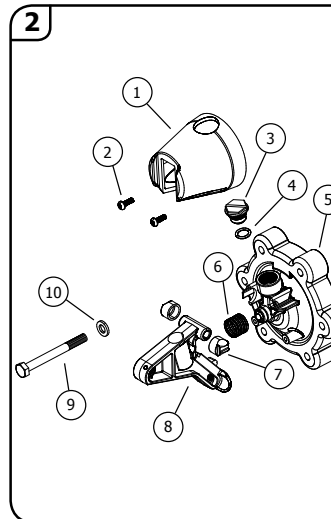
PARTS IDENTIFICATION SHEET



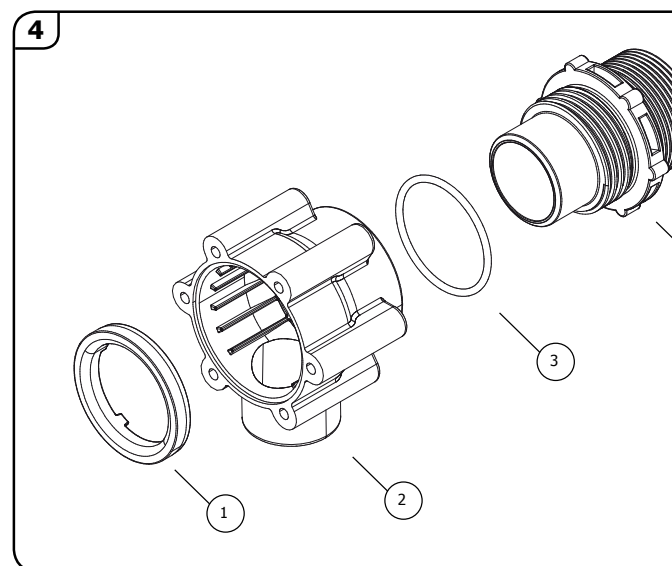
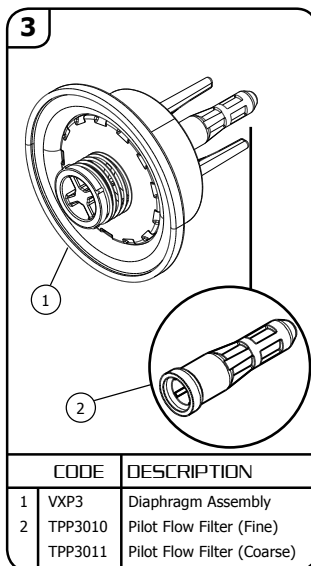
CODE	DESCRIPTION
1	VXPD1 Float Assembly
2	VXPD2 Cap & Actuator Assembly
3	VXP3 Diaphragm Assembly
4	Base Assembly



CODE	DESCRIPTION
1	VXPD1010 Weighted Tube Stop
2	VXPD1020 Weighted Float
3	VXPD1030 Upper Float Stop
4	VXPD1040 Cord
5	VXPD1050 Arm Extension
6	VXPD1060 M5 x 12 Bolt



CODE	DESCRIPTION
1	VXPD2010 Actuator Cap
2	VXP2020 6g x 10 S/S Screw
3	VXP2030 Frost Pro Plug
4	VXP2040 Frost Pro O'ring
5	VXPD2050 Valve Cap Assembly
6	VXPD2060 Damping Spring
7	VXP2080 Bearings (set of two)
8	VXP2090 Actuator Arm
9	VXP2100 Bolt M6 x 65
10	VXP2110 Washer M6 x 12.5



CODE	DESCRIPTION
1	VXP4010 Vortex Retainer
2	VXP4020 Vortex Base
3	VXP4030 Vortex O'ring
4	VXP4040 Vortex Tail 32mm
	VXP4045 Vortex Tail 40mm
	VXP4050 Vortex Tail 50mm
	VXP4055 Vortex Tail 1 1/4" npt
	VXP4060 Vortex Tail 1 1/2" npt
	VXP4065 Vortex Tail 2" npt

600 L / MIN