

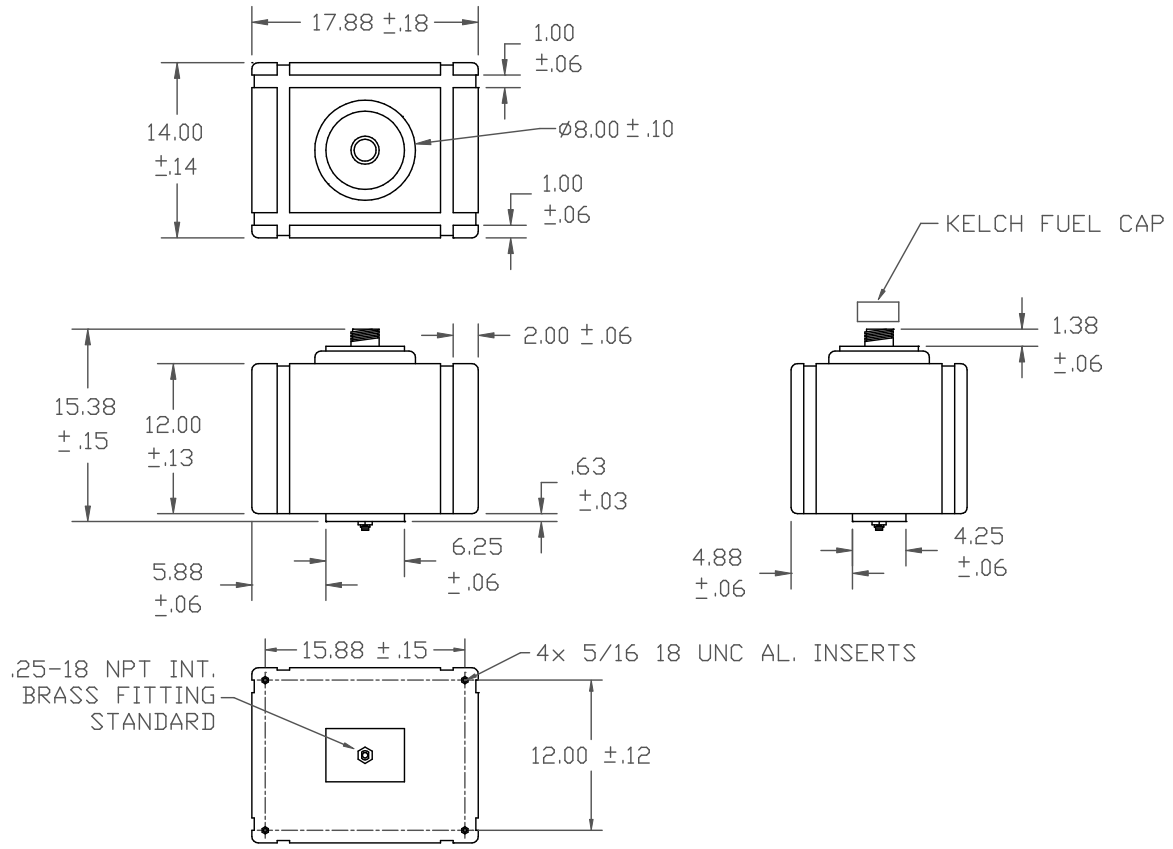


if it flows,
we go with it

1.800.665.4499
barrplastics.com

DWG NO. SP0012-FUWB

REV
D



D	ADD FITTING	10/18/06				<i>ACE ROTO-MOLD</i>
C	ADD INSERT PAT.	8/28/06	DRAWN	DATE		
B	ADD PART NO.	8/26/03	DHJ	2-17-94	CROSS LINK POLYETHYLENE	
A	TOL. CLARIFIED	4/17/97	APPROVED	DATE		
REV	DESCRIPTION	DATE	ADH	11-15-07		
SCALE NONE			THIRD ANGLE PROJECTION		PART WEIGHT	12 GALLON RT FUEL TANK
UDS DIMENSIONS ARE IN INCHES GENERAL TOLERANCES ± 1% @ 68° F					9 LBS.	SIZE A
						DWG NO. SP0012-FUWB
						REV D

This document contains proprietary information. It is intended solely for use of potential clients involved or to be involved in a transaction with BARR Plastics Inc.

© 2019 BARR PLASTICS INC