

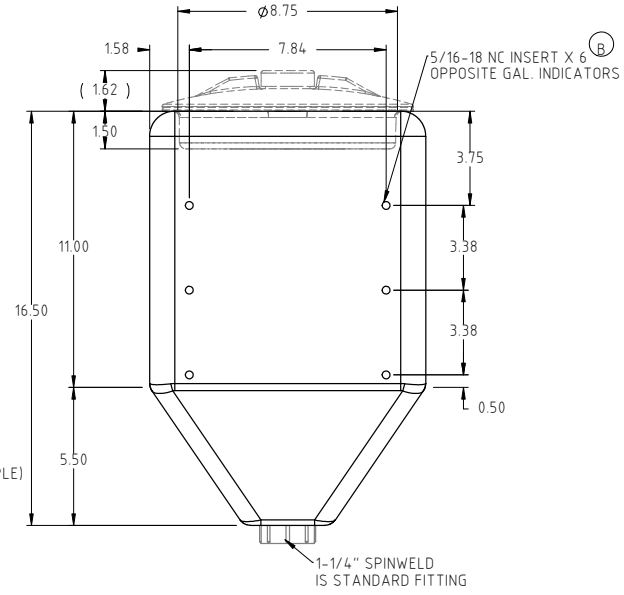
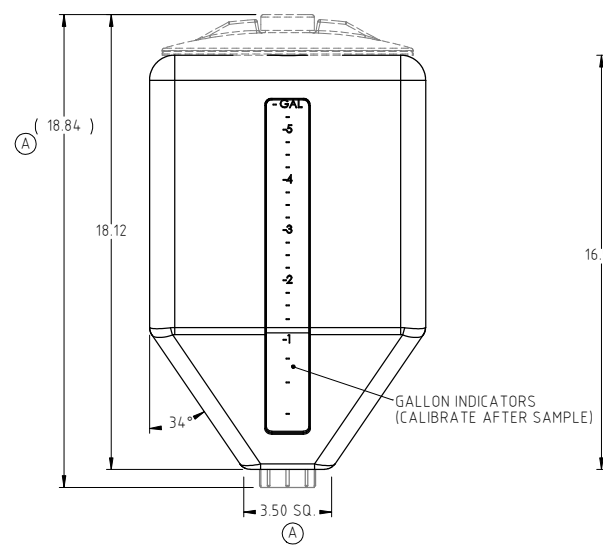
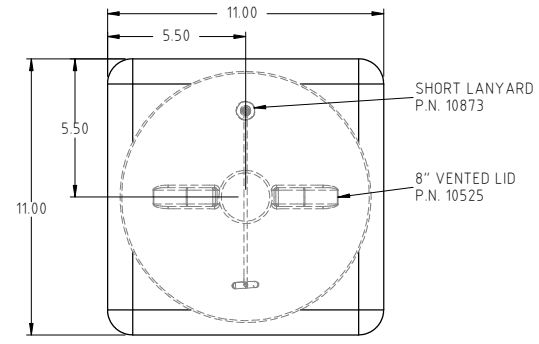


if it flows,
we go with it

1.800.665.4499
barrplastics.com

© DEN HARTOG INDUSTRIES, INC.
Copyright: All information furnished within this document, electronic file or design correspondence is the property of Den Hartog industries, Inc and shall not be used, disclosed to others or copied without the expressed written consent of Den Hartog Industries, Inc.

SPBM05-SQ8 B



B		5/16 INSERT TYPO CORRECTED.	ADH 9/28/16	3291	DRAWN / DATE	REH 1/16/97	MATERIAL	WHITE=80001	BARR Plastics Inc Abbotsford, BC info@barrplastics.com barrplastics.com	
A		DIMENSIONS/DRAWING TEMPLATE UPDATED TO BE BLOW MOLDED	ADH 10/17/13	2720	APPRD. / DATE	REH 1/16/97	YELLOW=80001 80003			
REV	DESCRIPTION		BY / DATE	CCN	SHOT WEIGHT: 5.00 LBS		NOTES:		DESCRIPTION	
ALL DIMENSIONS ARE IN DECIMAL INCHES TOLERANCES UNLESS OTHERWISE SPECIFIED			THIRD ANGLE PROJECTION ANSI 14.5M		SHIPPING WEIGHT: 6.00 LBS		1.) SHIP PART W/CAP INSTALLED		ACE 5 GAL. MINI-INDUCTOR TANK-8" LID	
POLYETHYLENE ±1% @ 68°F		METAL DECIMAL ±.125" FRACTION ± 1/4" ANGLE ± 1°				FINISH:		SCALE		N.S.
								PART NO.		SPBM05-SQ8

This document contains proprietary information. It is intended solely for use of potential clients involved or to be involved in a transaction with BARR Plastics Inc.

© 2019 BARR PLASTICS INC