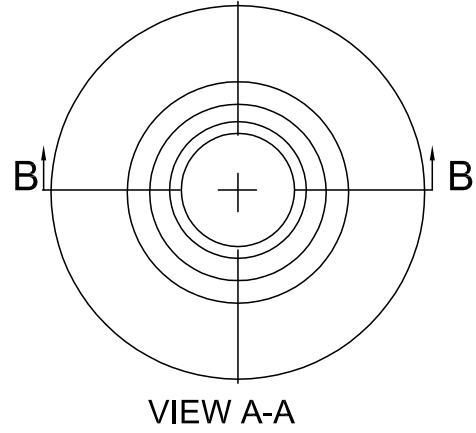
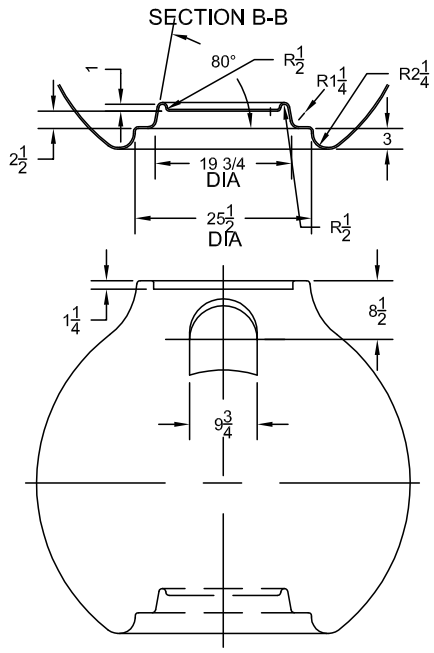
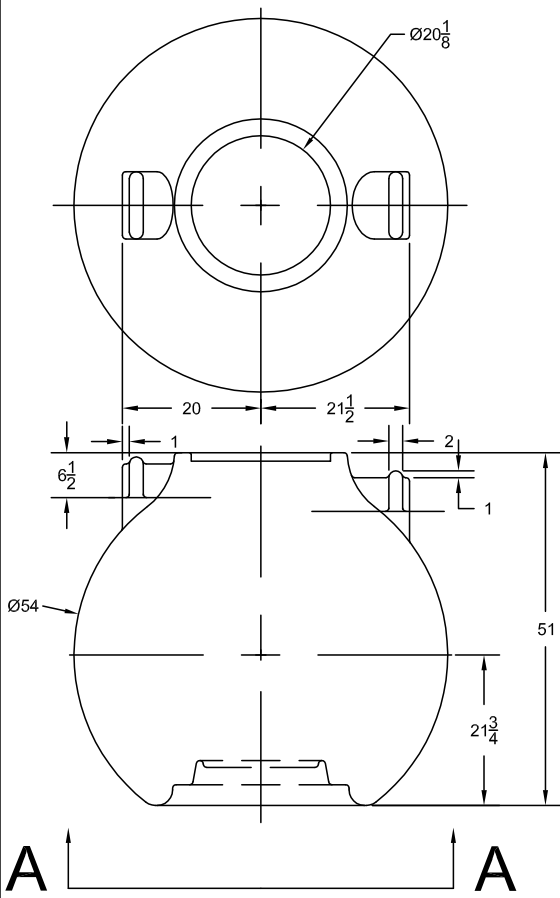




if it flows,
we go with it

1.800.665.4499
barrplastics.com

NORWESCO		REV
ST. BONIFACIUS, MN		
300 USG (1136 LTRS)		
SPHERE SEPTIC TANK		
WT. (LBS)	DWG NO.	
128.5	41319	



ALL INFORMATION CONTAINED IN THIS DRAWING IS STRICTLY CONFIDENTIAL AND PROPERTY OF BARR PLASTICS INC. NO PART SHALL BE COPIED OR REPRODUCED WITHOUT THE WRITTEN CONSENT OF BARR PLASTICS INC.

Customer Drawing Approval

Customer _____

Barr Plastic Inc. _____



DATE:
30 SEP 05

PROJECT:
- TANK APPROVAL DWG.

CLIENT:
-
DRAWING REF:

SCALE:
-
REV:

MATERIAL SPECIFICATIONS

HDPE 1.5 SPG

ALL FITTINGS ARE
POLYPROPYLENE WITH
EPDM GASKETS