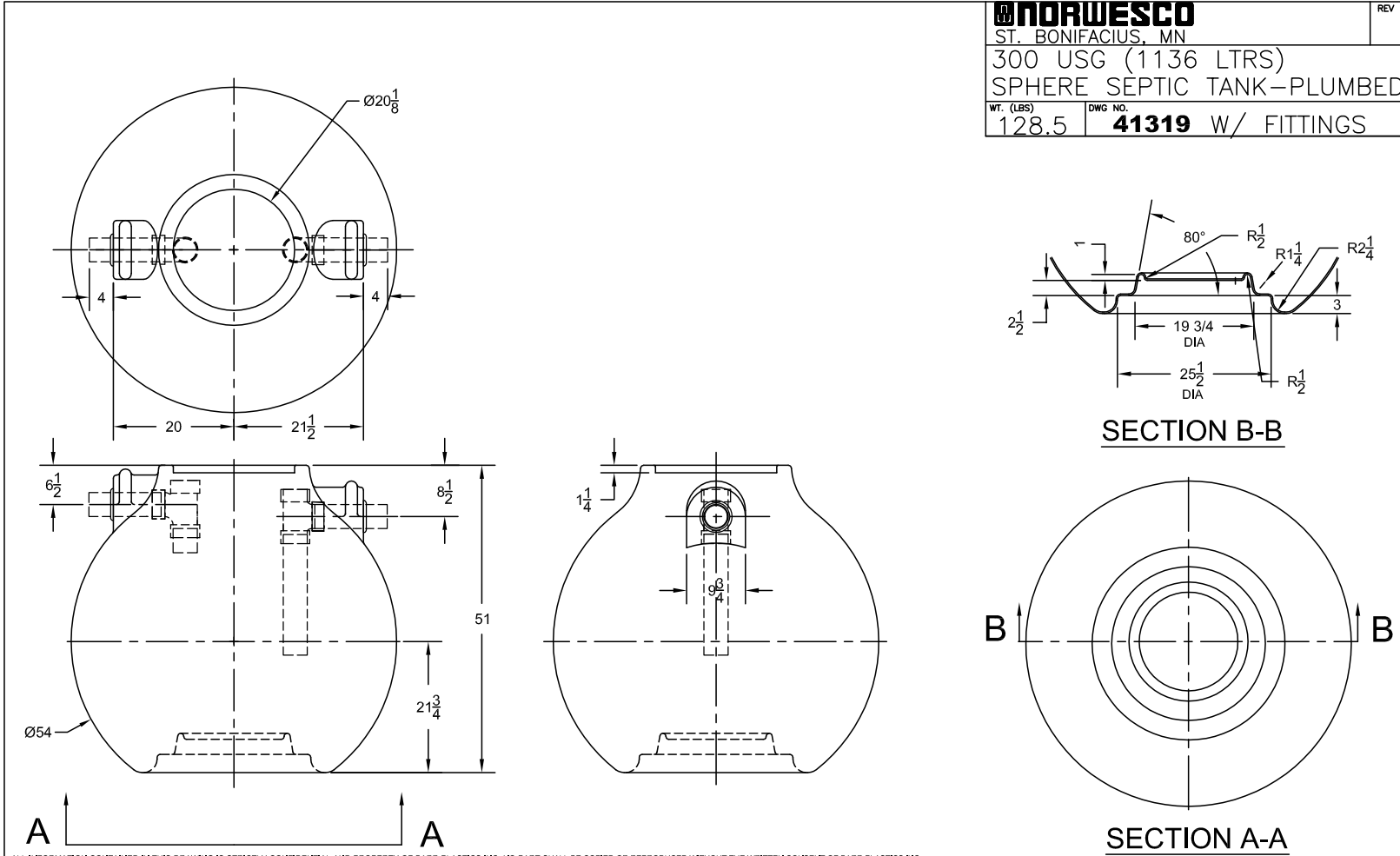




if it flows,  
we go with it

1.800.665.4499  
barrplastics.com



<b>NORWESCO</b>		REV
ST. BONIFACIUS, MN		
300 USG (1136 LTRS)		
SPHERE SEPTIC TANK-PLUMBED		
WT. (LBS)	DWG NO.	
128.5	<b>41319</b>	W/ FITTINGS

**Customer Drawing Approval**

Customer \_\_\_\_\_

Barr Plastic Inc. \_\_\_\_\_



DATE: 30 SEP 05

PROJECT:  
- TANK APPROVAL DWG.

CLIENT:  
-

DRAWING REF:  
-

SCALE:  
-

REV:

**MATERIAL SPECIFICATIONS**

HDPE 1.5 SPG

ALL FITTINGS ARE POLYPROPYLENE WITH EPDM GASKETS