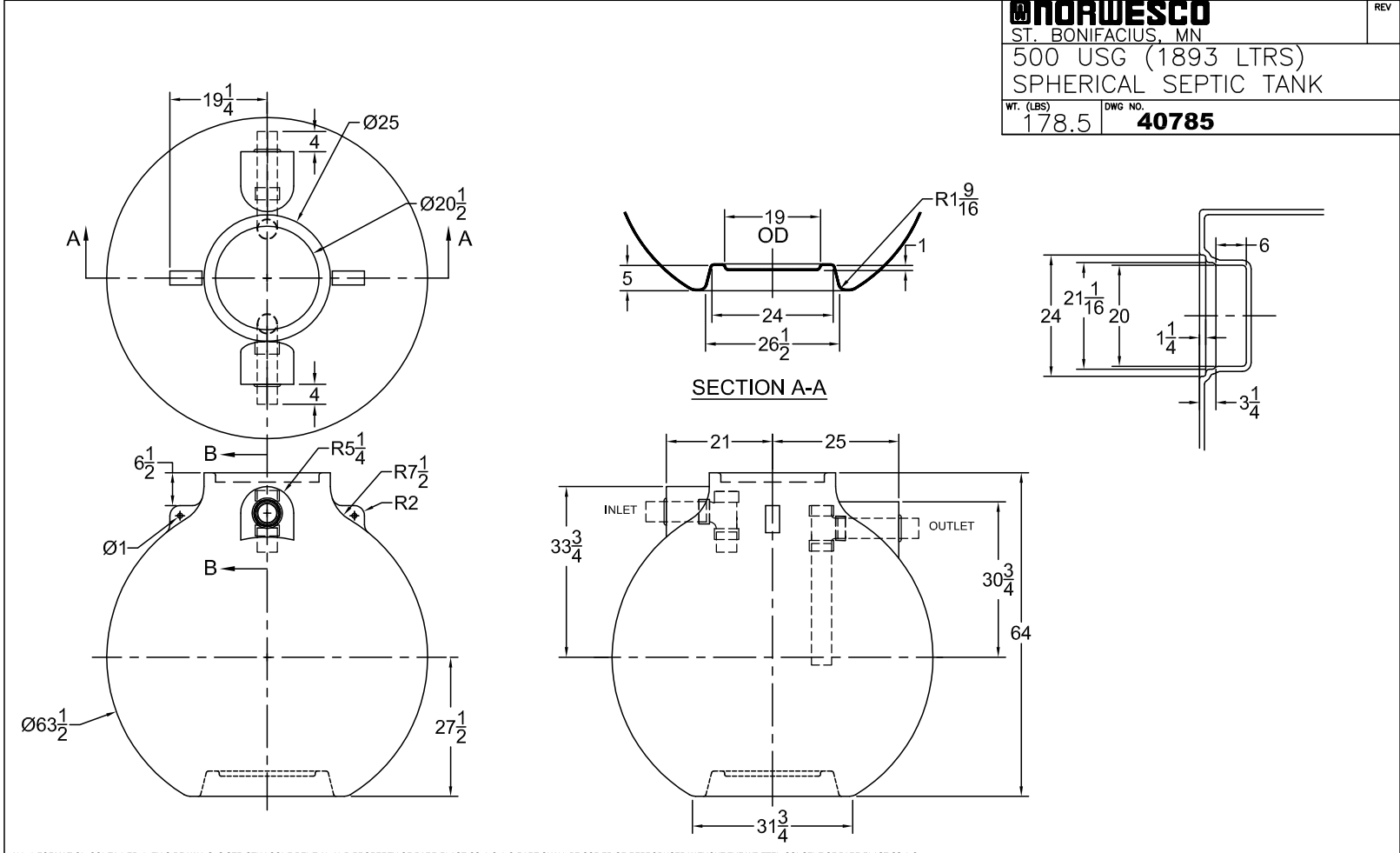




if it flows,
we go with it

1.800.665.4499
barrplastics.com



NORWESCO		REV
ST. BONIFACIUS, MN		
500 USG (1893 LTRS)		
SPHERICAL SEPTIC TANK		
WT. (LBS)	DWG NO.	
178.5	40785	

ALL INFORMATION CONTAINED IN THIS DRAWING IS STRICTLY CONFIDENTIAL AND PROPERTY OF BARR PLASTICS INC. NO PART SHALL BE COPIED OR REPRODUCED WITHOUT THE WRITTEN CONSENT OF BARR PLASTICS INC.

Customer Drawing Approval

Customer _____

Barr Plastic Inc. _____



DATE:
30 SEP 05

PROJECT:
- TANK APPROVAL DWG.

CLIENT:
-
DRAWING REF:

SCALE:
-
REV:

MATERIAL SPECIFICATIONS
- HDPE 1.5 SPG
ALL FITTINGS ARE POLYPROPYLENE WITH EPDM GASKETS