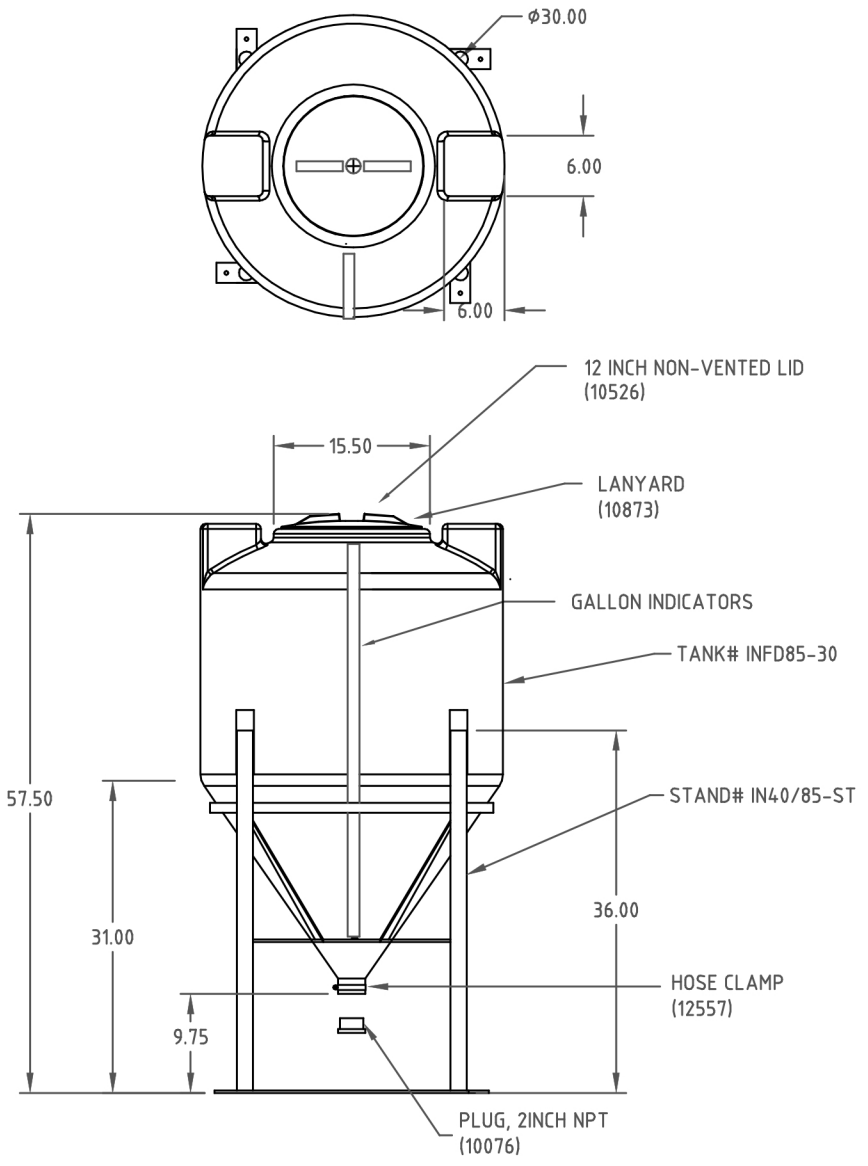





1.800.665.4499
barrplastics.com

INFD85-30+ IN40/85-ST



REV	DESCRIPTION	BY / DATE	CCN
ALL DIMENSIONS ARE IN DECIMAL INCHES TOLERANCES UNLESS OTHERWISE SPECIFIED			
POLYETHYLENE		METAL	
±1% @ 68° F		DECIMAL ± .125" FRACTION ± 1/4" ANGLE ± 1°	

DRAWN / DATE DHJ 10/27/09	MATERIAL TANK IS POLYETHYLENE STAND IS MILD STEEL W/ POWDER COAT
APPRD. / DATE REH 11/2/09	
SHOT WEIGHT:	NOTES:
SHIPPING WEIGHT: 77 LBS.	
FINISH:	



Den Hartog

INDUSTRIES, INC.

Ace Roto-Mold Injection Molding Blow Molding SowJoy
4010 HOSPERS DRIVE S. BOX 425, HOSPERS, IOWA 51238-0425

DESCRIPTION		85 GALLON FULL DRAIN INDUCTOR AND STAND	
SCALE	N.S.	PART NO.	INFD85-30+ IN40/85-ST

