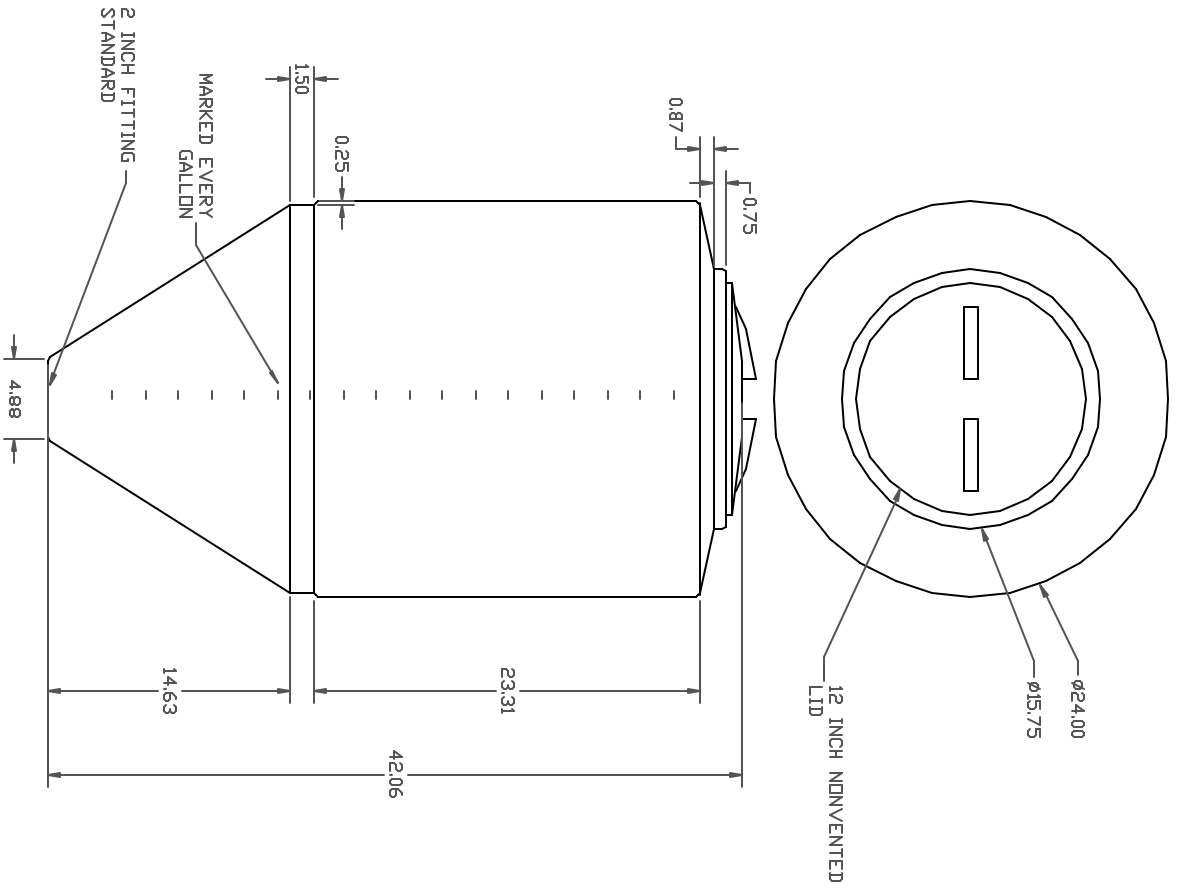


PROPRIETARY DATA

PROPERTY OF ACE ROTO-MOLD MFG., INC. INFORMATION FURNISHED HEREIN IS THE PROPERTY OF ACE ROTO-MOLD MFG., INC. AND SHALL NOT BE USED, DISCLOSED TO OTHERS OR COPIED WITHOUT THE EXPRESSED WRITTEN CONSENT OF ACE ROTO-MOLD MFG., INC. ALL RIGHTS RESERVED.

IN0060-24



REV	DESCRIPTION	DATE	APPRD
A	NEW PRINT FORMAT	2/7/16	NVE

DRAWN / DATE		APPRD. / DATE	
DHJ 4/19/05			

MATERIAL  
 HDPE OR EQUIVALENT  
 REFERENCE MATERIAL DATA SHEET  
 FOR SPECIFIC PROPERTIES:

CLIENT / DESCRIPTION  
**ACE ROTO-MOLD**  
 A DIVISION OF DEW HARTIG INDUSTRIES, INC.  
 4018 HWY. 61 BLVD., BOX 421, HOSPER, IOWA 52318

ALL DIMENSIONS ARE IN DECIMAL INCHES  
 TOLERANCES UNLESS OTHERWISE SPECIFIED  
 ± 0.005 @ 68° F



NOTES:  
 1. .22 NOM. WALL  
 2. SHOT WEIGHT 22 LBS.

SCALE N.S.  
 PART NO. IN0060-24  
 60 GALLON INDUCTOR TANK