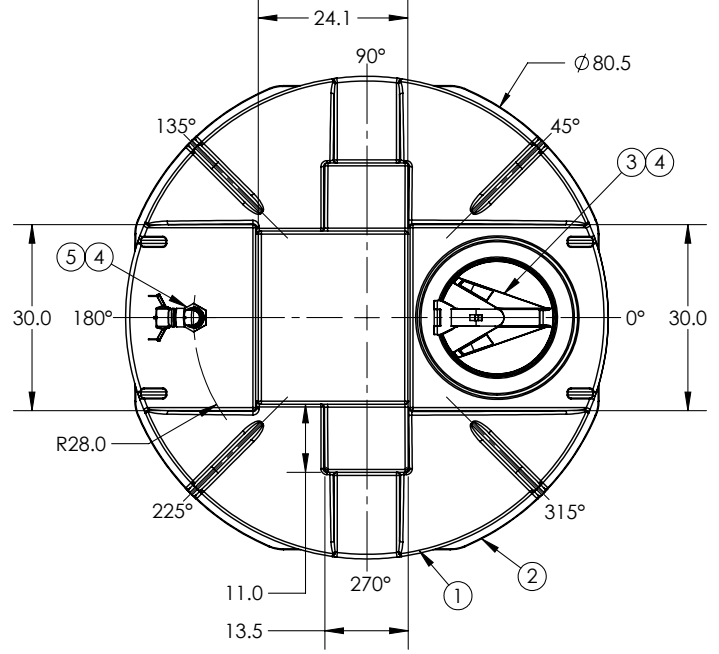
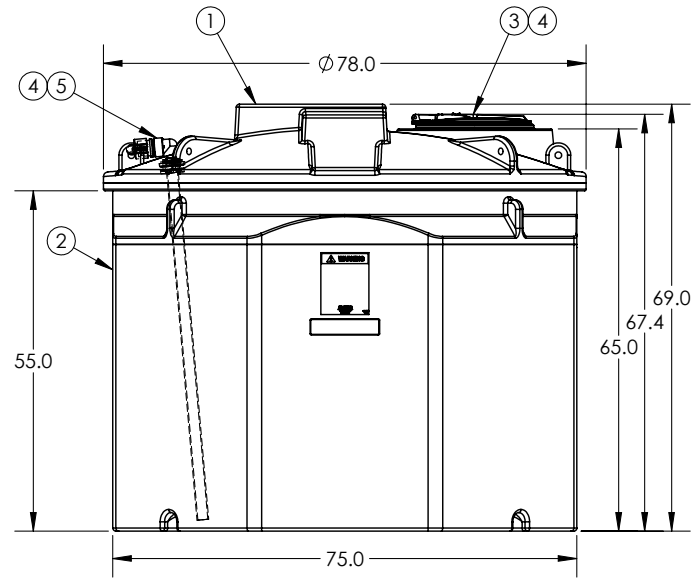




if it flows,
we go with it

1.800.665.4499
barrplastics.com



6	1	30200015	STRAINER BASKET 18IN MANWAY #T8159000
5	1	34702270	ASM DRAWTUBE PP VITON 150 DCT CT
4	1	60405	FTG PP 2IN BH EPDM TXT
3	1	34700559	ASM MANWAY HINGED PP 18IN W/LOCK HYPRO
2	1	5990000N89101	ASM 1000CNT X 75 HD/YW 1.9
1	1	5990100N95702	ASM TK 1000VNT X 78 HD/BLK 1.9 NOMW

***ALL EXTERNAL PIPING MUST BE INDEPENDENTLY SUPPORTED.**
***ONLY BASE FITTINGS TO BE LEFT INSTALLED AT TIME OF SHIPMENT PER SII PROCEDURE.**
***Consult Snyder's Guidelines for Use and Installation prior to delivery.**
 Available on-line at <http://www.snyderindustriestanks.com/Technical>
ALL DIMENSIONS ARE IN INCHES, NOMINAL, & SUBJECT TO CHANGE WITHOUT NOTICE.
ALL DIMENSIONS ON ROTATIONAL MOLDED PARTS ARE SUBJECT TO A ± 3% TOLERANCE.

DO NOT SCALE		DRAWN BY	TITLE		REVISION
STATUS:	Released	ETS		ASM TK 1000 DCT/UOCTS BLK/YW 1.9	B
© SNYDER INDUSTRIES, INC., 2018			PART NO.		SHEET
ALL DIMENSIONS, DESIGNS, AND INFORMATION ON THIS PRINT MUST BE CONSIDERED PROPRIETARY TO SNYDER INDUSTRIES, INC. AND MAY NOT BE USED, COPIED, OR DISTRIBUTED WITHOUT WRITTEN PERMISSION OF AN OFFICER (OR HIS AGENT) OF THE FIRM.			(402) 467-5221 www.snydet.com	5990102N95703	1 OF 1
			ENG. ID.		
			D007292		